

14 Agustus 2016



# PARTS CATALOG NEWS

<b>CODE NO.</b>	<b>18K81HI1</b>
<b>PARTS CATALOG NEWS</b>	<b>BEAT PGM-FI (ACH110CBF/CBT/CSF)</b> - TIPE CBS (ACH110CBFH) - TIPE CBS ISS (ACH110CBTH) - TIPE CW (ACH110CSFH)
<b>NEWS NO.</b>	<b>001</b>

## PARTS CATALOG NEWS BEAT PGM-FI

Parts Catalog news ini berisi daftar parts Honda BEAT PGM-FI (ACH110CBF/CBT/CSF) secara eksklusif dan berdasarkan pada buku Parts Catalog Honda BEAT PGM-FI (ACH110CBF/CBT/CSF).

Komponen yang tidak tercantum dalam Parts Catalog news ini adalah sama seperti Part Catalog BEAT PGM-FI (ACH110CBF/CBT/CSF).

<b>Nama</b>	<b>Kode area</b>	<b>Tipe</b>	<b>Model</b>	<b>No. Seri Mesin yang berlaku</b>	<b>No. Seri Rangka yang berlaku</b>	<b>No. identifikasi throttle body yang berlaku</b>
BEAT PGM-FI	2IN	CBS-STREET	ACH110CBFH	JFZ2E000001~	MH1JFZ2**GK000001~	GQRGB A

**Tabel warna**

- Sewaktu memesan part berwarna, bacalah tabel di bawah dan pakailah nomor part yang terdiri dari nomor part dasar yang bersangkutan kepada mana telah ditambahkan kode warna part.

**BEAT PGM-FI TIPE CBS (ACH110CBFH).....2IN**

No.	MODEL		ACH110CBFH					
	WARNA		Black	Ross white	Model yang berlaku		No. blok yang berlaku	No. Ref.
	KODE		NH-1	NH-196	Model pertama yang berlaku	Model akhir yang berlaku		
	Nama parts berwarna	No. dasar part	NH1	NH196				
1	COVER, FR.	64301-K81-N00	FMB	RSW			F-12	1
2	COVER, L. BODY	83600-K81-N00	FMB	RSW			F-15	4
3	COVER, R. BODY	83500-K81-N00	FMB	RSW			F-15	2
4	COVER, RR. HANDLE	53206-K81-N30	MAG	MAG			F-9-1	8
5	COVER, CENTER	80151-K81-N00	ZA	ZA			F-15	1
6	COVER, FR. HANDLE	53205-K81-N30	ZA	ZA			F-9-1	7
7	COVER, FR. LOWER	64308-K81-N00	ZA	ZA			F-12	3
8	COVER, FR. TOP	64305-K81-N00	ZA	ZA			F-12	2
9	COVER, INNER LOWER	81141-K81-N00	ZA	ZA			F-12	6
10	COVER, INNER UPPER	81131-K81-N00	ZA	ZA			F-12	4
11	COVER, L. BODY SIDE	83620-K81-N00	ZA	ZA			F-15	5
12	COVER, METER LOWER	53207-K81-N30	ZA	ZA			F-2-1	9
13	COVER, R. BODY SIDE	83520-K81-N00	ZA	ZA			F-15	3
14	COVER, RR. CENTER	83700-K81-N00	ZA	ZA			F-15	6
15	COVER, UNDER	64340-K81-N00	ZA	ZA			F-14	2
16	FENDER, FR.	61110-K81-N00	ZA	ZC			F-11	1
17	FENDER, RR.	8010C-K81-N00	-	-			F-39	2
18	HOLDER, HANDLE PIPE UPPER	53131-K81-N30	ZA	ZA			F-9-1	5
19	HOOK, LUGGAGE	81132-GAH-000	YV	YV			F-12	5
20	LID, BATTERY	64460-K81-N00	ZA	ZA			F-14	3

BEAT PGM-FI TIPE CBS (ACH110CBFH).....2IN

No.	MODEL		ACH110CBFH					
	WARNA		Black	Ross white	Model yang berlaku		No. blok yang berlaku	No. Ref.
	KODE		NH-1	NH-196	Model pertama yang berlaku	Model akhir yang berlaku		
	Nama parts berwarna	No. dasar part	NH1	NH196				
21	MARK	86531-KYZ-710	ZA	ZA			F-48-1	5
22	PLUG, HOLE	90656-GCC-000	ZE	ZE			F-24	13
23	PROTECTOR, MUFFLER	18318-K81-N00	ZA	ZA			F-30	4
24	STEP, FLOOR	64310-K81-N00	ZA	ZA			F-14	1
25	STRIPE SET, L.	871X0-K81-N30	ZAL	ZBL			F-48-1	1
26	STRIPE SER, R.	871X0-K81-N30	ZAR	ZBR			F-48-1	2
27	WHEEL SUB ASSY., FR.	44650-K81-N00	ZA	ZA			F-20-40	6
28	WHEEL SUB ASSY., RR.	42650-K81-N00	ZA	ZA			F-22-30	2

**\* PEKERJAAN LAIN SELAIN PENGGANTIAN PARTS**

• **Penyetelan**

	<b>LON</b>	<b>DESKRIPSI</b>	<b>FRT</b>
E	3143A0	<b>PUTARAN STASIONER MESIN - PENYETELAN</b>	0,1
	6143A1	<b>BUSI-PENYETELAN/PEMBERSIHAN</b>	0,2
	1113A0	<b>JARAK RENGANG KLEP- PENYETELAN</b> CATATAN: Untuk 1 kendaraan	0,4
F	6163A0	<b>LAMPU DEPAN- MENGARAHKAN</b>	0,1
	7113A1	<b>REM BELAKANG - PENYETELAN</b> TERMASUK: Penyetelan kampas rem belakang	0,1
	7113A1A	Setel equalizer tambahan	0,3
	7113A1D	Setel equalizer tambahan CATATAN: Tipe Street	0,1
	3113A3	<b>PENGOPERASIAN GAS-PENYETELAN</b>	0,1

PARTS CATALOG NEWS

No. Blok	No. Ref	No. Part	Deskripsi	Jumlah BEAT PGM-FI (ACH110) CBS(CBF) 2016(H) CBS ISS(CBT) 2016(H) CW(CSF) 2016(H)	No. Seri	No. Part asal
<b>E - 1</b>	<b>SHROUD/FAN COVER</b>					
<p style="text-align: right;">K818ED100B</p>						

PARTS CATALOG NEWS

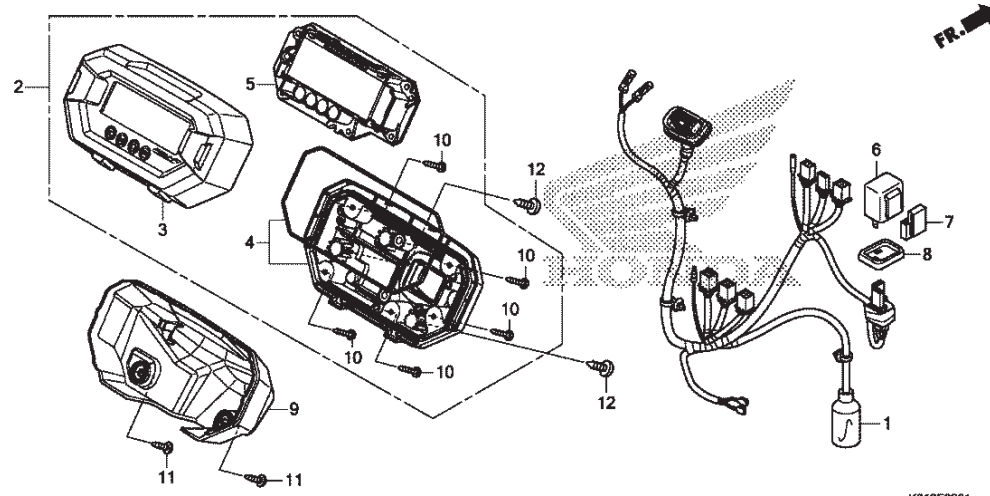
No. Blok	No. Ref	No. Part	Deskripsi	Jumlah			No. Seri	No. Part asal
				BEAT PGM-FI (ACH110)	CBS(CBF) 2016(H)	CBS ISS(CBT) 2016(H)		
<p><b>E - 13</b> <b>LEFT CRANKCASE COVER</b></p>				1	-	-	-----	2IN

PARTS CATALOG NEWS

No. Blok	No. Ref	No. Part	Deskripsi	Jumlah	No. Seri	No. Part asal
				BEAT PGM-FI (ACH110)		
				CBS(CBF) CBS ISS(CBT) CW(CSF)		
				2016(H) 2016(H) 2016(H)		

## F-2-1 METER(ACH110CBF-2IN)

No. Ref.	L.O.N.	(Nomor ref. relatif) Deskripsi	F.R.T.
1	8121C6	SUB HARNESS, METER .....	0,8
2	8121A5	METER ASSY., COMBINATION (A) ....	0,2
3	8121B4	CASE, METER :UPPER .....	0,2
4	8121B5	CASE, METER :LOWER .....	0,2
5	8121H4	METER, COMBINATION (A) .....	0,3
6	6111N4	RELAY, WINKER (A) .....	0,3
9	4131Q2	COVER, METER :LOWER .....	0,1



K816F0201

F-2-1	1	32101-K81-N30	SUB HARNESS, SPEEDOMETER .....	1	-	-	-----	-----	2IN
	2	27100-K81-N31	METER ASSY., COMBINATION(KPH) .	1	-	-	-----	-----	2IN
	3	37110-K81-N31	CASE ASSY., UPPER.....	1	-	-	-----	-----	2IN
	4	37120-K81-N31	CASE ASSY., UNDER.....	1	-	-	-----	-----	2IN
	5	37130-K81-N31	METER COMP., LCD.....	1	-	-	-----	-----	2IN
	6	38301-KPH-881	RELAY COMP., WINKER.....	1	-	-	-----	-----	2IN
		38301-KZR-C01	RELAY COMP., WINKER.....	1	-	-	-----	-----	2IN
	7	38306-K46-N01	SUSPENSION, WINKER RELAY.....	1	-	-	-----	-----	2IN
		38306-KJ6-740	SUSPENSION, WINKER RELAY.....	1	-	-	-----	-----	2IN
	8	38307-GJ1-014	COVER, SEAL(MB).....	1	-	-	-----	-----	2IN
		38307-K16-901	COVER, SEAL(DS).....	1	-	-	-----	-----	2IN
	9	53207-K81-N30ZA	COVER, METER LOWER *TBLACK* .....	1	-	-	-----	-----	2IN
10	93903-22520	SCREW, TAPPING, 3X20.....	5	-	-	-----	-----	2IN	
11	93903-24380	SCREW, TAPPING, 4X12.....	2	-	-	-----	-----	2IN	
12	93913-25380	SCREW, TAPPING, 5X14(PO).....	3	-	-	-----	-----	2IN	

PARTS CATALOG NEWS

No. Blok	No. Ref	No. Part	Deskripsi	Jumlah			No. Seri	No. Part asal
				BEAT PGM-FI (ACH110)	CBS(CBF) 2016(H)	CBS ISS(CBT) 2016(H)		

## F - 3

### MIRROR

8818F03008

F-3	2	88210-K81-N30	MIRROR COMP., R.....	1	-	-	-----	-----	2IN	88210-K61-900
	3	88220-K81-N30	MIRROR COMP., L.....	1	-	-	-----	-----	2IN	88220-K61-900
	5	90314-KVR-600	NUT, LOCK.....	2	-	-	-----	-----	2IN	



PARTS CATALOG NEWS

No. Blok No. Ref No. Part

Deskripsi

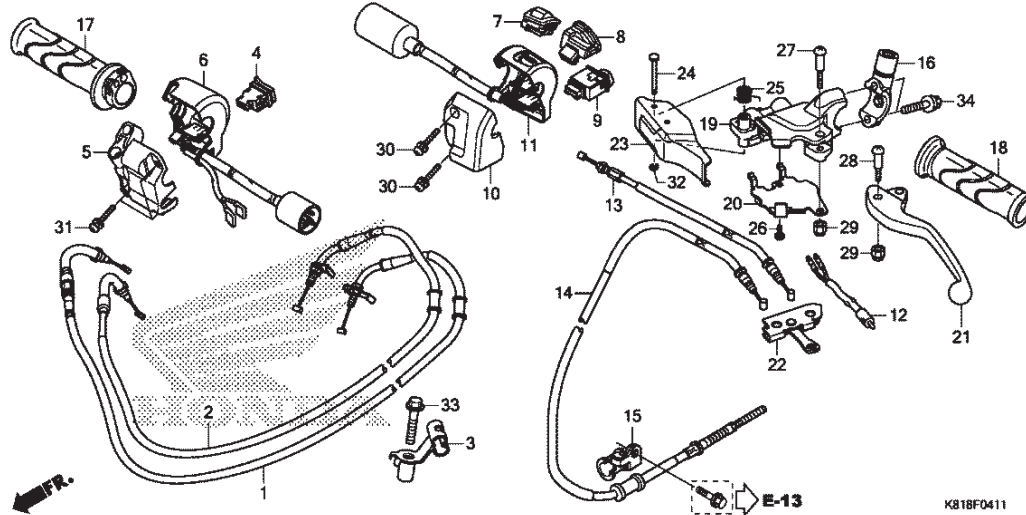
Jumlah  
BEAT PGM-FI (ACH110)  
CBS(CBF) CBS ISS(CBT) CW(CSF)  
2016(H) 2016(H) 2016(H)

No. Seri

No. Part asal

**F-4-11  
HANDLE LEVER/SWITCH/  
CABLE(ACH110CBF-2IN)**

No. Ref.	L.O.N.	(Nomor ref. relatif) Deskripsi	F.R.T.
1	8111D4	(2) CABLE, THROTTLE (A) .....	2,1
4	6151G1	SWITCH, STARTER (A) .....	0,9
6	8101K8	HOUSING, STARTER SWITCH .....	0,9
7	6151G2	SWITCH, DIMMER (A) .....	0,9
8	6151G3	SWITCH, HORN (A) .....	0,9
9	6151G5	SWITCH, WINKER (A) .....	0,9
11	8101K9	HOUSING, WINKER SWITCH .....	0,9
12	6151F9	SWITCH, REAR STOP (B) :LEVER SIDE .....	0,6
	6151G0	SWITCH, STOP (B) :KEDUANYA .....	0,8
13	8111H3	CABLE, FRONT BRAKE CONNECTING (A) .....	0,6



KB1BF0411

F-4-11	1	17910-K81-N31	CABLE COMP. A, THROTTLE .....	1	-	-	-----	-----	2IN
	2	17920-K81-N31	CABLE COMP. B, THROTTLE .....	1	-	-	-----	-----	2IN
	3	17925-K50-T00	CLAMPER, THROTTLE CABLE.....	1	-	-	-----	-----	2IN
	4	35160-K20-T21	SWITCH UNIT, STARTER.....	1	-	-	-----	-----	2IN
	5	35164-K81-N31	HOUSING, RR. STARTER SWITCH (FR.)	1	-	-	-----	-----	2IN
	6	35165-K81-N31	HOUSING COMP., STARTER SWITCH. (RR.)	1	-	-	-----	-----	2IN
	7	35170-KYZ-901	SWITCH UNIT, DIMMER.....	1	-	-	-----	-----	2IN
	8	35180-K20-T21	SWITCH UNIT, HORN.....	1	-	-	-----	-----	2IN
	9	35200-K03-N31	SWITCH UNIT, WINKER.....	1	-	-	-----	-----	2IN
	10	35202-GGZ-J02	HOUSING, WINKER SWITCH RR (FR.)	1	-	-	-----	-----	2IN
	11	35205-K81-N31	HOUSING COMP., WINKER SWITCH (RR.)	1	-	-	-----	-----	2IN
	12	35340-K81-N31	SWITCH ASSY., FR. STOP.....	1	-	-	-----	-----	2IN
	13	43440-K81-N30	CABLE COMP., FR. BRAKE CONNECTING	1	-	-	-----	-----	2IN
	14	43450-K81-N30	CABLE COMP., RR. BRAKE .....	1	-	-	-----	-----	2IN
	15	43455-KZL-930	CLAMPER, RR. BRAKE CABLE.....	1	-	-	-----	-----	2IN
	16	45517-K81-N30	HOLDER, MIRROR.....	1	-	-	-----	-----	2IN

PARTS CATALOG NEWS

No. Blok No. Ref

No. Part

Deskripsi

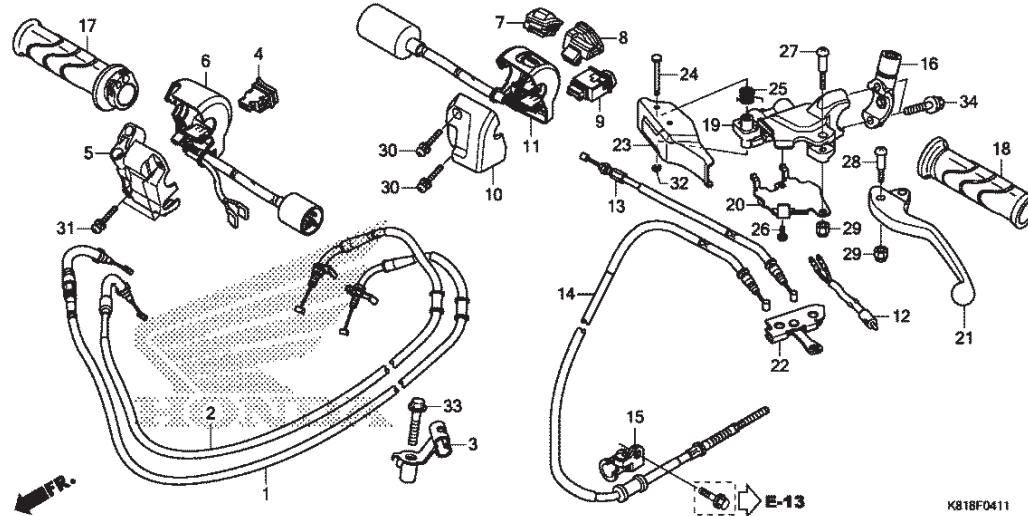
Jumlah  
BEAT PGM-FI (ACH110)  
CBS(CBF) CBS ISS(CBT) CW(CSF)  
2016(H) 2016(H) 2016(H)

No. Seri

No. Part asal

**F-4-11  
HANDLE LEVER/SWITCH/  
CABLE(ACH110CBF-2IN)**

No. Ref.	L.O.N.	(Nomor ref. relatif) Deskripsi	F.R.T.
14	8111G4	CABLE, REAR BRAKE (B) .....	2,0
17	8101J5	GRIP, THROTTLE (A) .....	0,2
18	8101C0	GRIP, HANDLE :LEFT .....	0,1
19	8101H7	BRACKET, HANDLE LEVER (A) :LEFT .....	0,5
21	8101H6	LEVER, HANDLE (A) :LEFT .....	0,1
	8101H8	LEVER, HANDLE (A) :KEDUANYA .....	0,2
22	8101P1	EQUALIZER, BRAKE CABLE (A) .....	0,5
23	8101N6	LEVER, REAR BRAKE LOCK (A) .....	0,1



17	53140-K44-V00	GRIP COMP., THROTTLE.....	1	-	-	-----	2IN
18	53166-KWB-600	GRIP, L. HANDLE.....	1	-	-	-----	2IN
19	53172-K81-N30	BRACKET, L. BRAKE LEVER.....	1	-	-	-----	2IN
20	53173-K81-N30	COVER, L. BRAKE LEVER BRACKET..	1	-	-	-----	2IN
21	53178-K81-N30	LEVER, L. STEERING HANDLE.....	1	-	-	-----	2IN
22	53184-K81-N30	EQUALIZER COMP.....	1	-	-	-----	2IN
23	53185-K81-N30	LEVER COMP., BRAKE LOCK.....	1	-	-	-----	2IN
24	53186-K81-N30	PIN, BRAKE LOCK LEVER.....	1	-	-	-----	2IN
25	53188-K81-N30	SPRING, BRAKE LOCK ARM RETURN..	1	-	-	-----	2IN
26	90104-K81-N30	SCREW, PAN, 5X8.....	1	-	-	-----	2IN
27	90115-K81-N30	SCREW, HANDLE LEVER PIVOT.....	1	-	-	-----	2IN
28	90116-K81-N30	SCREW, HANDLE LEVER PIVOT.....	1	-	-	-----	2IN
29	90302-KVB-T01	NUT, U, 5MM.....	1	-	-	-----	2IN
30	93892-05020-07	SCREW-WASHER, 5X20.....	1	-	-	-----	2IN
31	93892-05025-07	SCREW-WASHER, 5X25.....	1	-	-	-----	2IN
32	94540-03010	E-RING, 3MM.....	1	-	-	-----	2IN
33	95701-06030-00	BOLT, FLANGE, 6X30.....	1	-	-	-----	2IN
34	96001-06022-07	BOLT, FLANGE, 6X22.....	1	-	-	-----	2IN

PARTS CATALOG NEWS

No. Blok No. Ref No. Part

Deskripsi

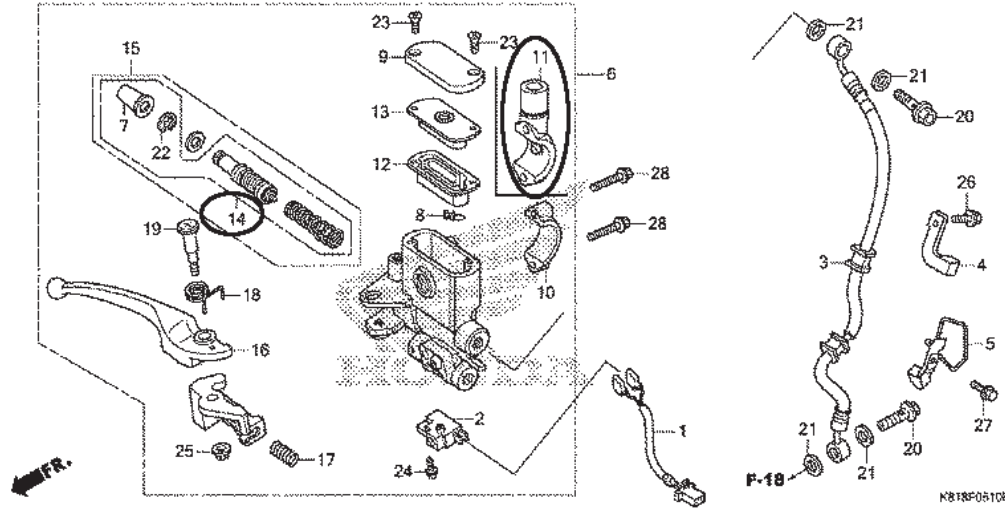
Jumlah  
BEAT PGM-FI (ACH110)  
CBS(CBF) CBS ISS(CBT) CW(CSF)  
2016(H) 2016(H) 2016(H)

No. Seri

No. Part asal

**F-5-10**  
**FRONT BRAKE MASTER**  
**CYLINDER(ACH110CBF/CBT)**

No. Ref.	L.O.N.	(Nomor ref. relatif) Deskripsi	F.R.T.
2	6151F8	SWITCH, FRONT STOP (B) ..... .CATATAN: Tipe Street	0,4
	6151G0	SWITCH, STOP (B) :KEDUANYA ..... .CATATAN: Tipe Street	0,8
3	7121N4	HOSE, FRONT BRAKE (A) ..... .TERMASUK: Pembuangan angin palsu .CATATAN: Tipe Street	1,0
6	7121X6	CYLINDER, FRONT BRAKE MASTER (B) ..... .TERMASUK: Pembuangan angin palsu .CATATAN: Tipe Street	0,6
15	7121X7	PISTON SET, FRONT BRAKE MASTER (B) ..... .TERMASUK: Pembuangan angin palsu .CATATAN: Tipe Street	0,9
16	8101H5	LEVER, HANDLE (A) :RIGHT..... .CATATAN: Tipe Street	0,1
	8101H8	LEVER, HANDLE (A) :KEDUANYA..... .CATATAN: Tipe Street	0,2



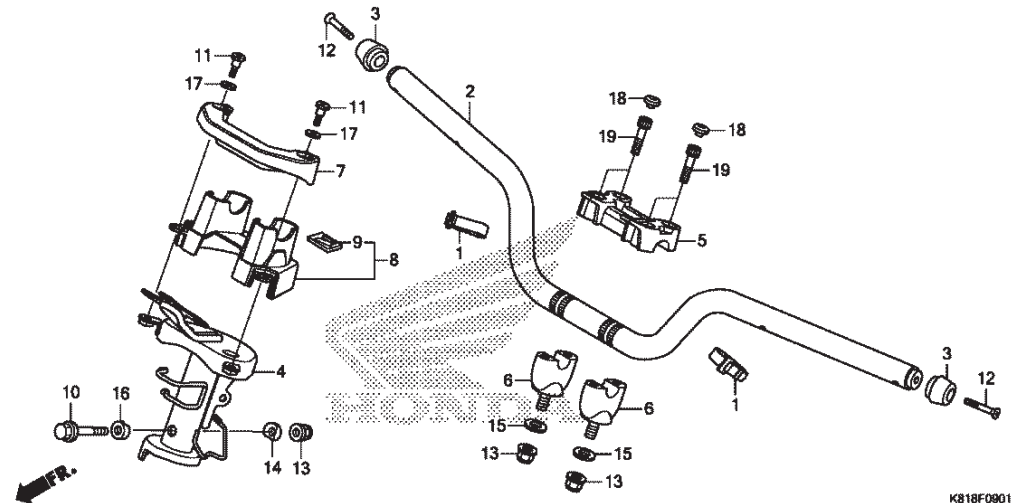
F-5-10	3	45126-K81-N31	HOSE COMP., FR. BRAKE .....	1	-	-	-----	-----	2IN	45126-K25-901
	6	45500-K81-N31	CYLINDER ASSY., FR. BRAKE MASTER	1	-	-	-----	-----	2IN	45500-K25-911
	11	45517-K81-N30	HOLDER, MIRROR .....	1	-	-	-----	-----	2IN	
	14	45530-K03-M61	CYLINDER SET, MASTER .....	1	-	-	-----	-----	2IN	
	16	53175-K81-N31	LEVER, R. STEERING HANDLE .....	1	-	-	-----	-----	2IN	53175-KVB-921
	19	90114-K44-V01	BOLT, HANDLE LEVER .....	1	-	-	-----	-----	2IN	90114-KVG-911
	22	90651-K03-M61	CIRCLIP, INTERNAL, 18.8 .....	1	-	-	-----	-----	2IN	90651-MA5-671
	28	96001-06022-07	BOLT, FLANGE, 6X22 .....	2	-	-	-----	-----	2IN	96001-06022-00

PARTS CATALOG NEWS

No. Blok No. Ref No. Part Deskripsi Jumlah  
BEAT PGM-FI (ACH110)  
CBS(CBF) CBS ISS(CBT) CW(CSF)  
2016(H) 2016(H) 2016(H) No. Seri No. Part asal

**F-9-1  
HANDLE PIPE/HANDLE  
COVER(ACH110CBF-2IN)**

No. Ref.	L.O.N.	(Nomor ref. relatif) Deskripsi	F.R.T.
2	8101H9	PIPE, STEERING (A) .....	0,6
4	5101C8	POST, HANDLE .....	1,0
6	8101B9	HOLDER, HANDLE :LOWER .....	1,0
.CATATAN: Waktu sama untuk dua unit			
7	4131AP	COVER, HANDLE (A) :FRONT .....	0,5
8	4131AQ	COVER, HANDLE (A) :REAR .....	0,5
	4131AR	COVER, HANDLE (A) :KEDUANYA .....	0,5



F-9-1	1	32161-404-000	BAND B1, WIRE.....	2	-	-	-----	2IN
	2	53100-K81-N30	PIPE COMP., HANDLE.....	1	-	-	-----	2IN
	3	53102-KVB-S00	WEIGHT A, HANDLE.....	2	-	-	-----	2IN
	4	53110-K81-N30	POST COMP., HANDLE.....					
	5	53131-K81-N30ZA	HOLDER, HANDLE PIPE UPPER *NH303M*					
			MAT AXIS GRAY METALLIC	1	-	-	-----	2IN
	6	53132-K04-930	HOLDER, HANDLE UNDER.....	2	-	-	-----	2IN
	7	53205-K81-N30ZA	COVER, FR. HANDLE *NH303M*.					
			MAT AXIS GRAY METALLIC	1	-	-	-----	2IN
	8	53206-K81-N30MAG	COVER SET, RR. HANDLE *NH303M*.					
			MAT AXIS GRAY METALLIC	1	-	-	-----	2IN
	9	86150-KPG-901	EMBLEM, PRODUCT(MR).....	1	-	-	-----	2IN
		86150-KPG-902	EMBLEM, PRODUCT(UE).....	1	-	-	-----	2IN
		86150-KTJ-C60	EMBLEM, PRODUCT(SH).....	1	-	-	-----	2IN
	10	90102-KZL-930	BOLT, FLANGE, 10X48.....	1	-	-	-----	2IN
	11	90107-K04-930	SCREW, PAN, 6X17.....	2	-	-	-----	2IN
	12	90191-K47-N41	SCREW, OVAL, 6X45.....	2	-	-	-----	2IN
		90191-KWB-600	SCREW, OVAL, 6X45.....	2	-	-	-----	2IN
	13	90304-KGH-901	NUT, U, 10MM.....	3	-	-	-----	2IN
	14	90501-KPH-880	COLLAR A, HANDLE SETTING.....	1	-	-	-----	2IN

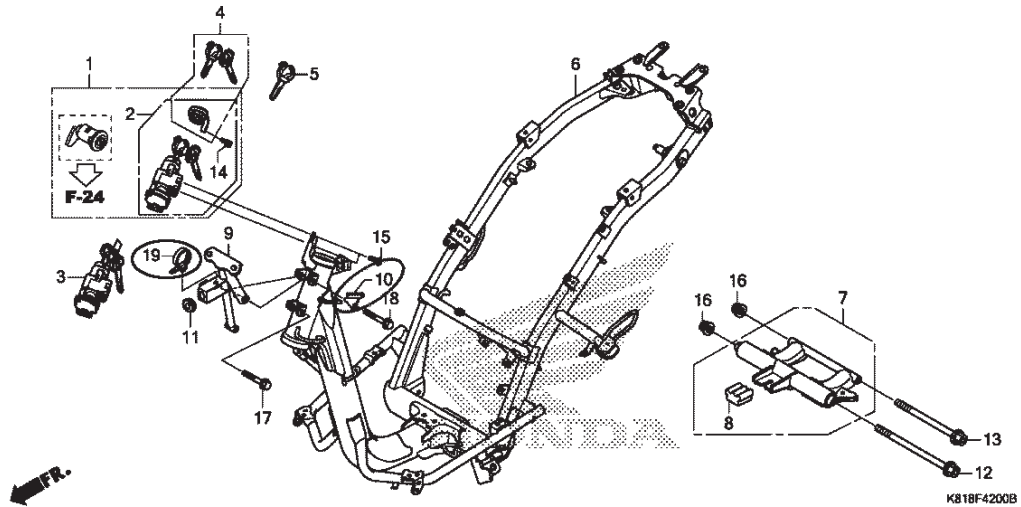
PARTS CATALOG NEWS

No. Blok	No. Ref	No. Part	Deskripsi	Jumlah			No. Seri	No. Part asal
				BEAT PGM-FI (ACH110)	CBS(CBF)	CBS ISS(CBT)		
				2016(H)	2016(H)	2016(H)		
<div style="display: flex; justify-content: space-between;"> <div style="width: 30%;"> <h2>F-9-1</h2> <h3>HANDLE PIPE/HANDLE COVER(ACH110CBF-2IN)</h3> </div> <div style="width: 40%; text-align: center;"> </div> <div style="width: 20%; text-align: right;"> <p>KB18F0901</p> </div> </div>								
15		90502-KWN-670	WASHER, 10MM.....	2	-	-	-----	2IN
16		90505-KPH-880	COLLAR B, HANDLE SETTING.....	1	-	-	-----	2IN
17		90507-921-000	WASHER, NYLON, 8MM.....	2	-	-	-----	2IN
18		91456-371-770	CAP, SOCKET BOLT.....	4	-	-	-----	2IN
19		96600-08032-00	BOLT, SOCKET, 8X32.....	4	-	-	-----	2IN

PARTS CATALOG NEWS

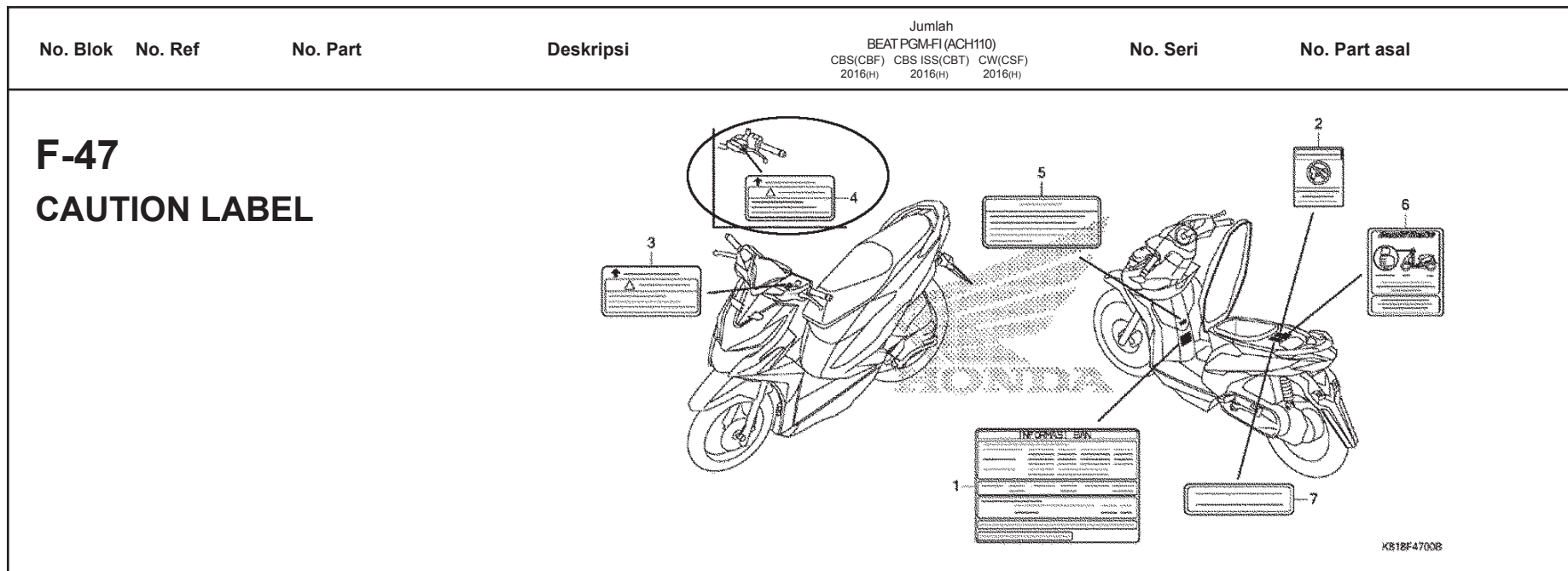
No. Blok	No. Ref	No. Part	Deskripsi	Jumlah			No. Seri	No. Part asal
				BEAT PGM-FI (ACH110) CBS(CBF) 2016(H)	CBS ISS(CBT) 2016(H)	CW(CSF) 2016(H)		
F-12	1	64301-K81-N00RSW	COVER, FR.(WL) *NH196* ..... ROSE WHITE	1	-	-	-----	2IN 64300-K81-N00ZE
		64301-K81-N00FMB	COVER, FR.(WL) *NH1* ..... BLACK	1	-	-	-----	2IN 64300-K81-N00ZF
F-15	2	83500-K81-N00RSW	COVER, R. BODY(WL) *NH196* ..... ROSE WHITE	1	-	-	-----	2IN 83505-K81-N00ZE
		83500-K81-N00FMB	COVER, R. BODY(WL) *NH1* ..... BLACK	1	-	-	-----	2IN 83505-K81-N00ZF
	4	83600-K81-N00RSW	COVER, L. BODY(WL) *NH196* ..... ROSE WHITE	1	-	-	-----	2IN 83605-K81-N00ZE
		83600-K81-N00FMB	COVER, L. BODY(WL) *NH1* ..... BLACK	1	-	-	-----	2IN 83605-K81-N00ZF
F-20-40	8	45351-K81-N31	DISK, FR. BRAKE.....	1	-	-	-----	2IN 45351-KVY-961
F-30	2	18300-K81-N30	MUFFLER COMP., EX .....	1	-	-	-----	2IN
F-40	1	30400-K81-N02	CONTROL UNIT, ENGINE.....	1	-	-	-----	2IN 30400-K81-N01
F-41	4	32100-K81-N10	HARNESS, WIRE.....	1	-	-	-----	2IN 32100-K81-N00

**F-42**  
**FRAME BODY**



F-42	10	64224-K81-N30	BRACKET, FR. BRAKE HOSE.....	1	-	-	-----	2IN
	19	91540-KPH-902	CLIP, HARNESS BAND.....	1	-	-	-----	2IN

PARTS CATALOG NEWS



F-47	4	87514-K81-N30	LABEL, CBS CAUTION.....	1	-	-	-----	-----	2IN
------	---	---------------	-------------------------	---	---	---	-------	-------	-----

PARTS CATALOG NEWS

No. Blok	No. Ref	No. Part	Deskripsi	Jumlah			No. Seri	No. Part asal
				CBS(CBF) 2016(H)	CBS ISS(CBT) 2016(H)	CW(CSF) 2016(H)		
<b>F - 48-1</b>								
<b>MARK/STRIPE (ACH110CBF-2IN)</b>								
F-48-1	1	871X0-K81-N30ZAL	STRIPE SET, L. BLACK.....	1	-	-	-----	2IN
		871X0-K81-N30ZBL	WHITE .....	1	-	-	-----	2IN
	2	871X0-K81-N30ZAR	STRIPE SET, R. BLACK .....	1	-	-	-----	2IN
		871X0-K81-N30ZBR	WHITE .....	1	-	-	-----	2IN
	4	86170-KZR-600	MARK, ENGINE .....	1	-	-	-----	2IN
	5	86531-KYZ-710ZA	MARK(FI) *TYPE1*.....	1	-	-	-----	2IN
	6	86534-K81-N00ZA	MARK (COMBI BRAKE) *TYPE2*.....	2	-	-	-----	2IN
		86534-K81-N00ZB	MARK (COMBI BRAKE) *TYPE1*.....	2	-	-	-----	2IN



# **PT Astra Honda Motor**

## **TECHNICAL SERVICE DIVISION**

Dipublikasikan oleh:  
Honda Motor Co., Ltd.

Dicetak di Indonesia  
ID.XXX.6230.2016.10.16